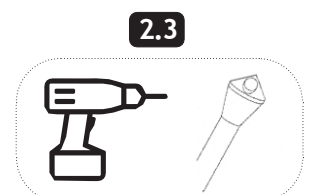
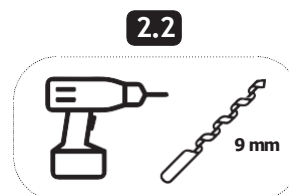
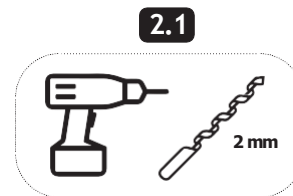
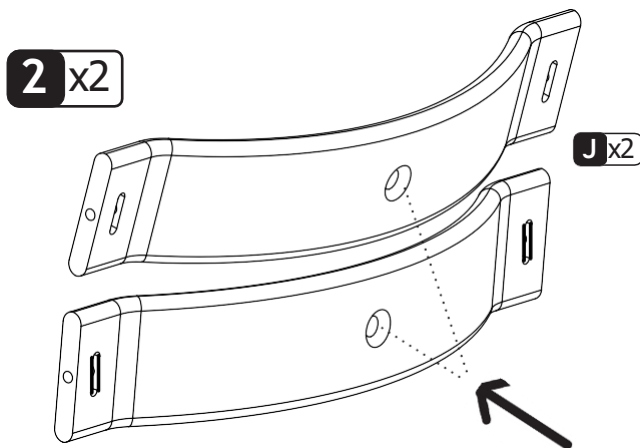
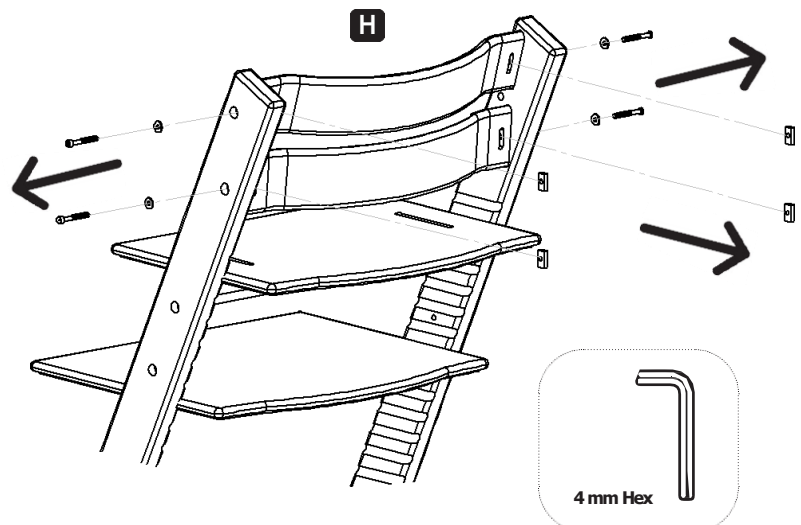
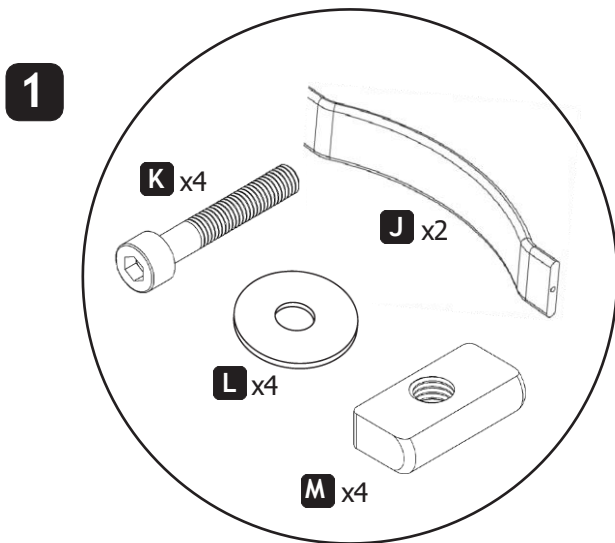
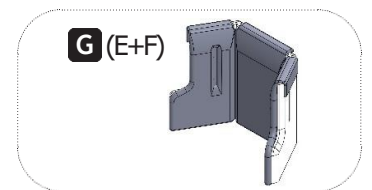
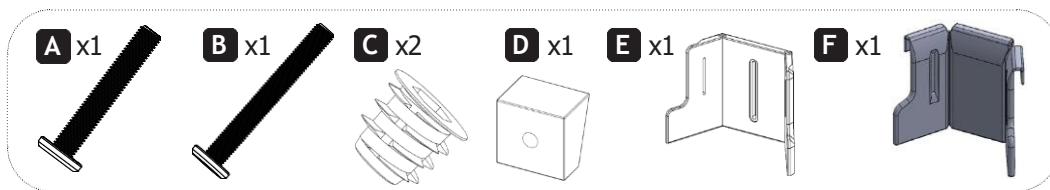
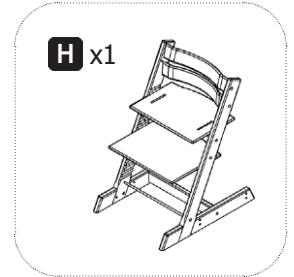
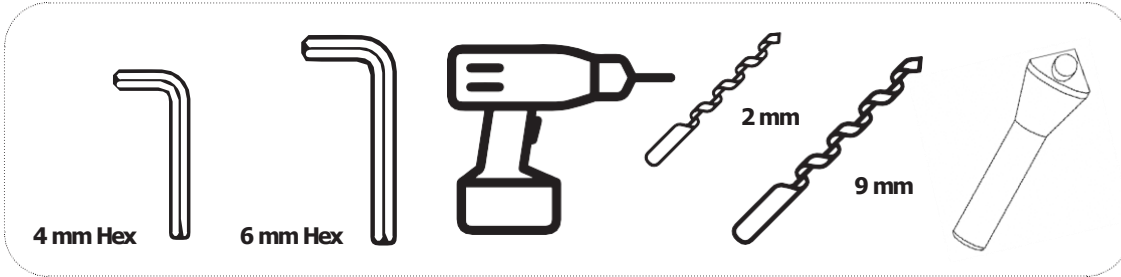


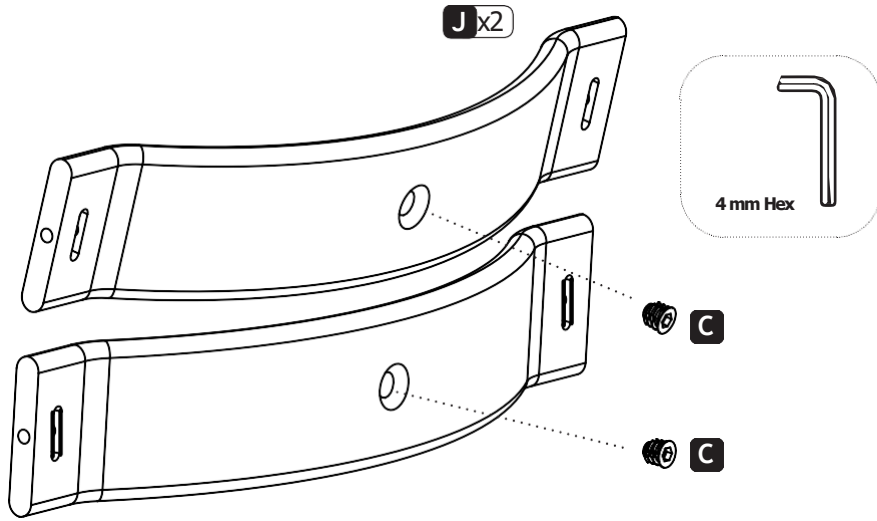
Breezi

How to Fit

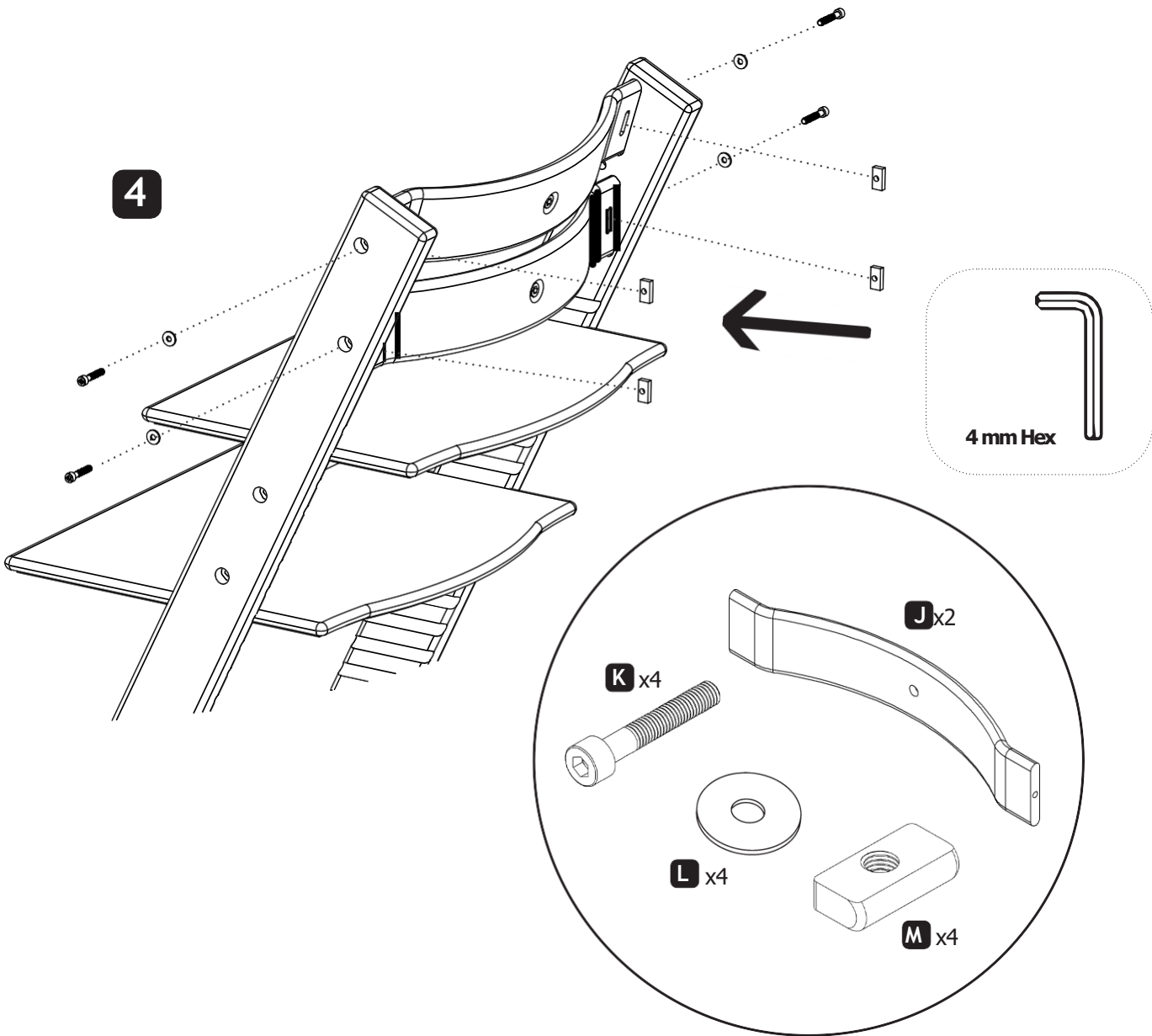
Cornerback

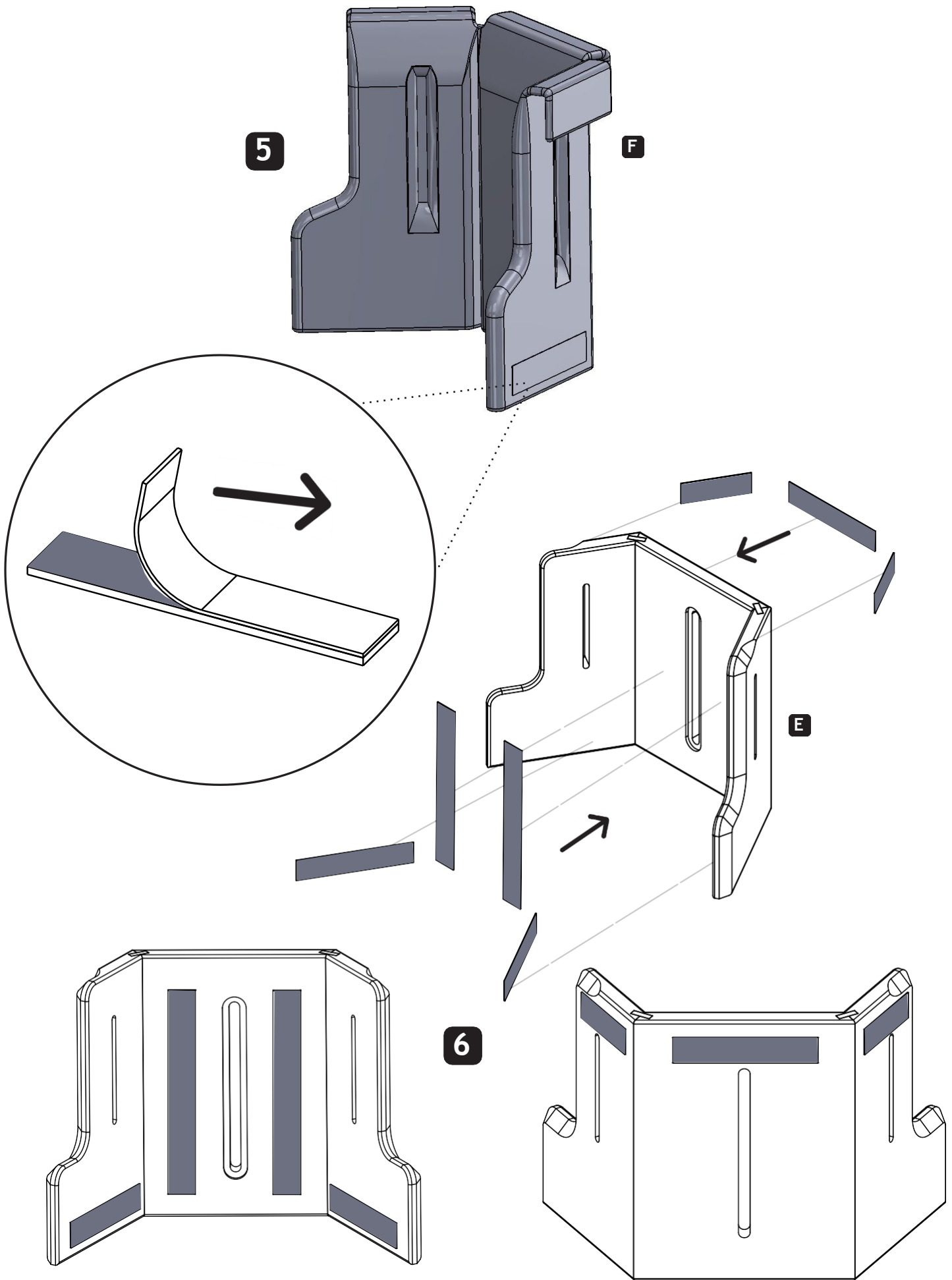


3



4





BES Healthcare Ltd 0117 966 6761 info@beshealthcare.net beshealthcare.net

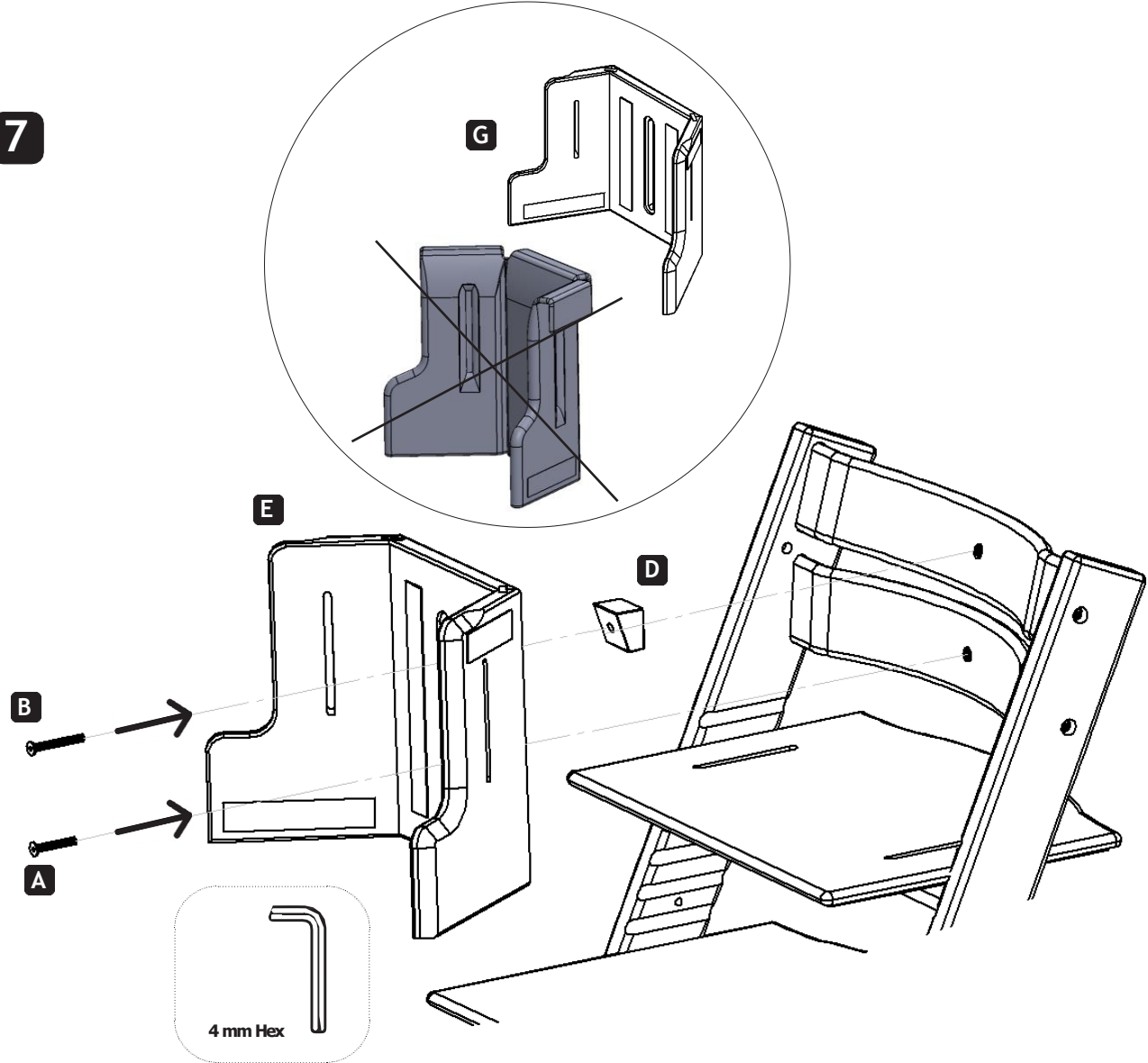
131 South Liberty Lane, Ashton Vale, Bristol, BS3 2SZ UK © 2021

ByBESIn009 How to Fit Cornerback V5 20220104

CE 3/4



7



8

