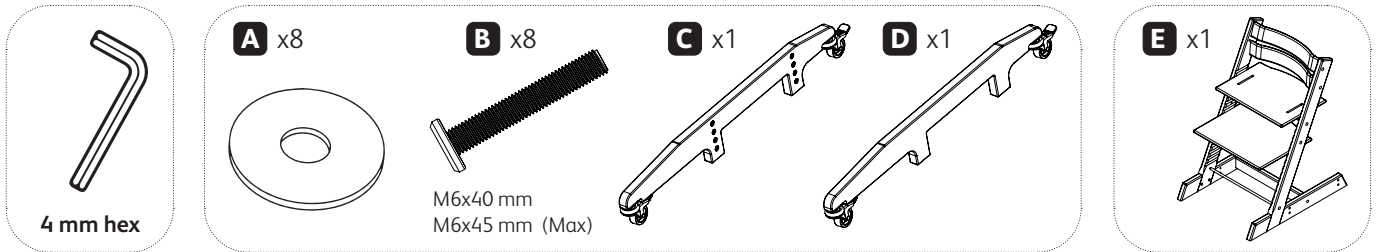


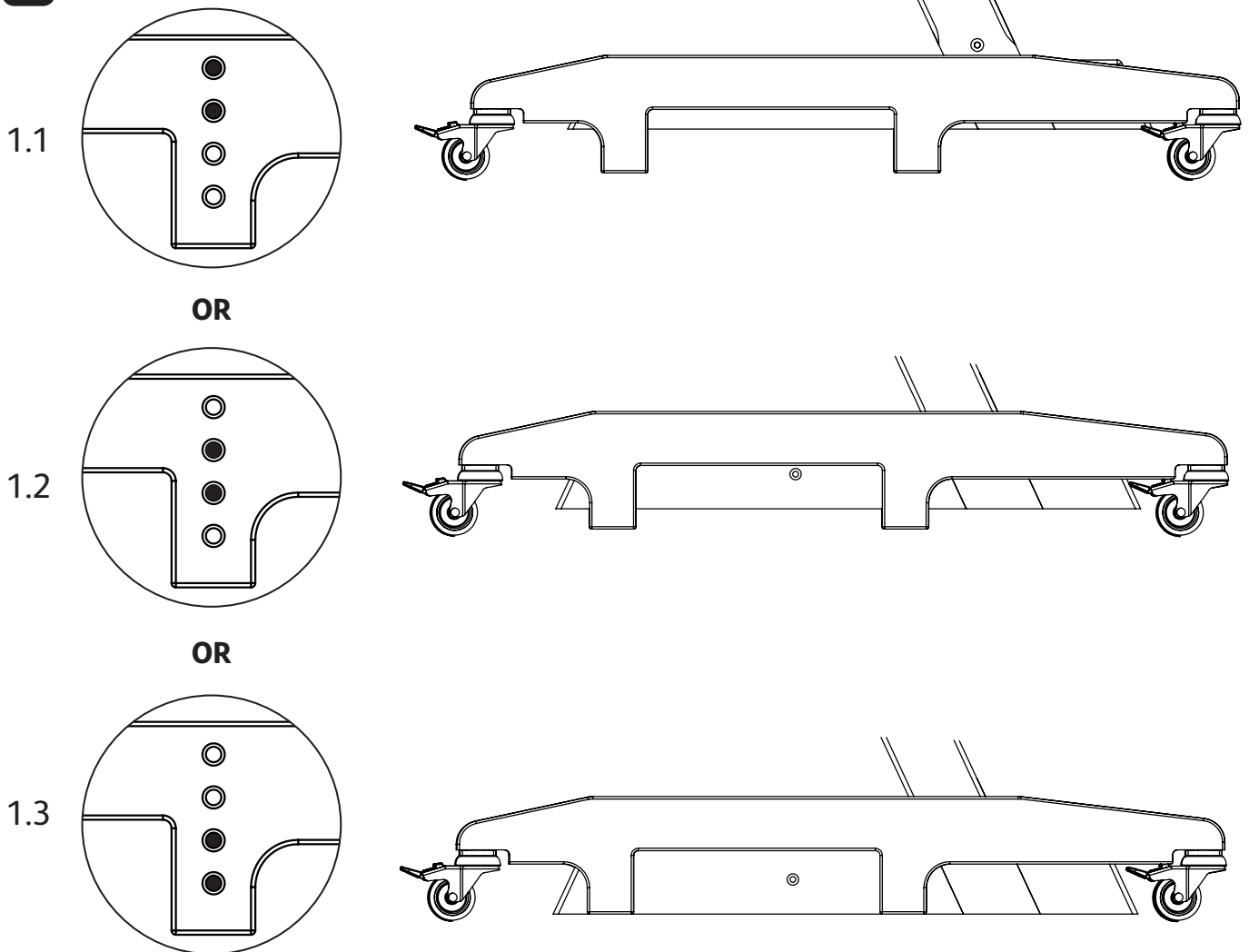
Breezi

How to Fit

Low Level Mobility Frame

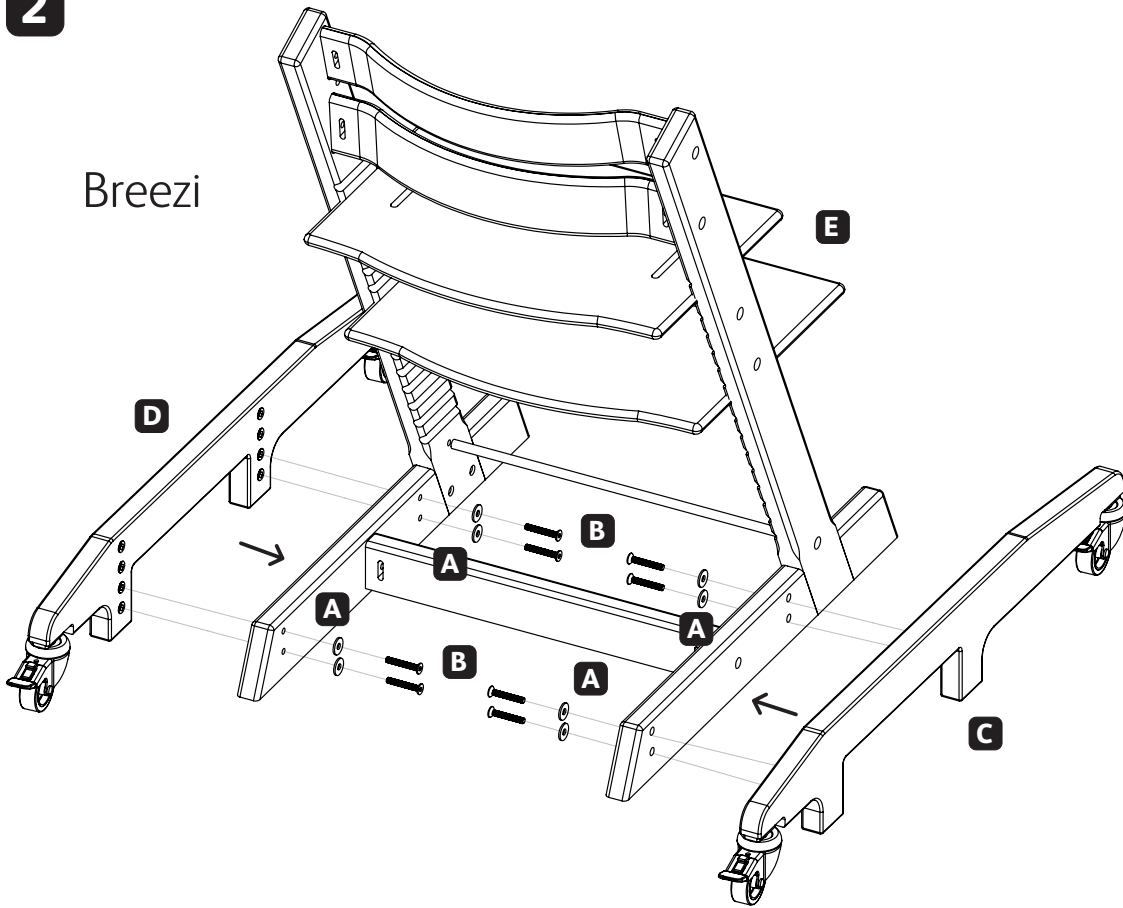


1

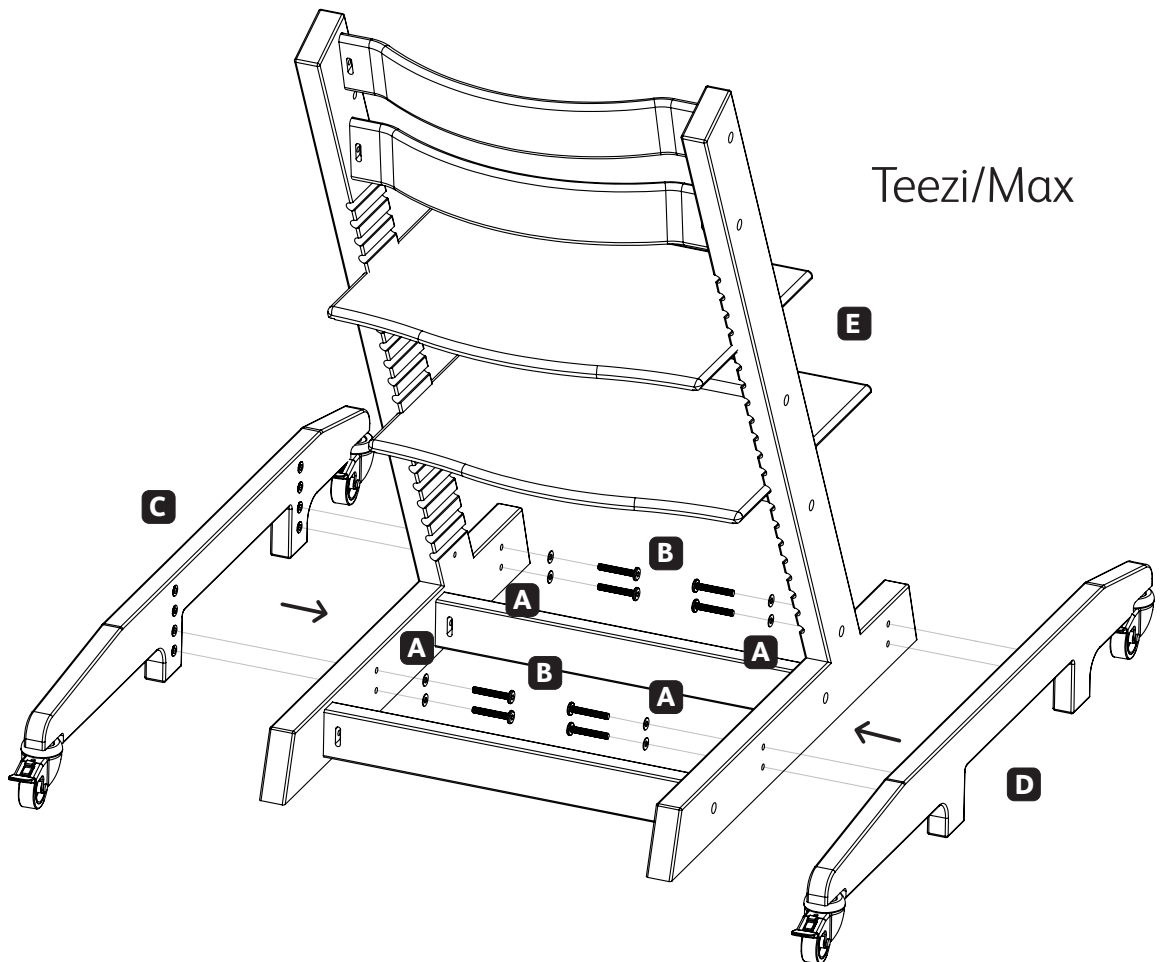


2

Breezi



Teezi/Max



BES Healthcare Ltd 0117 966 6761 info@beshealthcare.net beshealthcare.net

131 South Liberty Lane, Ashton Vale, Bristol, BS3 2SZ UK © 2021

ByBESIn010 How to Fit Low Level Mobility Frame V3 20210415

