

Breezi[®]

Activity Chair Range



B | E | S
HEALTHCARE

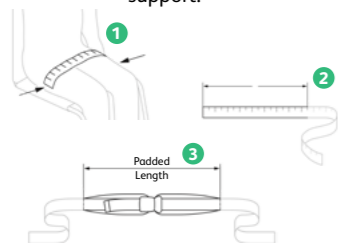
0117 966 6761
info@beshealthcare.net
www.beshealthcare.net



Are You Positioned Correctly?

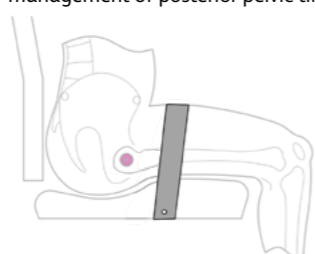
Tips from the ISO/TS 16840-15 Standard

Where to measure across the thighs for **padding size**, for a pelvic positioning support.



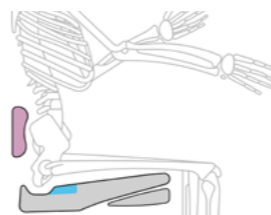
From ISO/TS 16840-15 Fig A.4

Position the **postural support device** anterior to the **greater trochanter**, to aid management of posterior pelvic tilt.



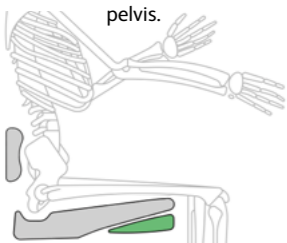
From ISO/TS 16840-15 Fig 1

To aid management of posterior pelvic tilt, use a **PSIS block** and **pre-ischial ridge** to keep the pelvis as close to neutral as is comfortable.



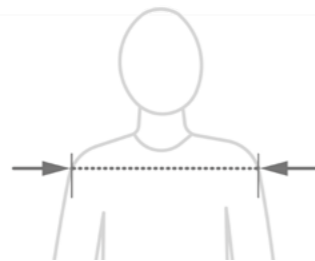
From ISO/TS 16840-15 Fig 6

Addition of a **wedge** under the front of a cushion can assist in spreading pressures under the femur while keeping a neutral pelvis.



From ISO/TS 16840-15 Fig 6

Where to **measure body** for sizing of an anterior trunk support.



From ISO/TS 16840-15 Fig A.6

The anterior trunk support **should not come higher than the lower sternal notch** (to prevent risk of interference with user's airway). Also it should not be placed too low (to avoid abdominal pressures).



From ISO/TS 16840-15 Fig 17

Breezi's History and Heritage

Supporting you for over 30 years

The Breezi range carries the DNA of the chair designed in 1972 by Peter Opsvik for his son, Tor, the original Tripp Trapp – a chair that grows with the child – but was reimagined to meet the needs of children with physical and behavioural challenges. The Breezi's extended footprint reduces the risk of tipping, while a wide range of accessories offer additional postural support and adaptability. The range was originally broadened into three sizes, and now a fourth size, to suit different markets, which makes the Breezi the only height-adjustable activity chair with true Tripp Trapp heritage.

Since joining BES Healthcare nearly a decade ago, Breezi has evolved through evidence-led refinements shaped by clinical standards and real-world use. Standards drove early changes, such as adapting seat-plate slots to allow correct pelvic belt positioning (to meet BS 8625 and later ISO 16840-15) across the thighs and in front of the greater trochanters. This improved pelvic control removed the need for a fixed pommel, allowing a quick-release medial knee support to be used appropriately, while an optional pre-ischial pad reduced forward sliding. Standardising component dimensions created full modularity across the sizes. Updated and new accessories are being introduced routinely. The Teeni addition has now extended the range for nursery and toddler-height tables, demonstrating how Breezi continues to innovate, while staying faithful to its roots.



0117 966 6761
info@beshealthcare.net
www.beshealthcare.net



Meet the Breezi Range

Sturdy seating that grows with your needs

New Updates! Backrails are interchangeable and now come with pre-drilled holes as standard to retrofit accessories. And now, if you need a wider seating solution without the extra height, you can configure your own Breezi chair.



Teeni

(Narrow width shown, with a high backrail)

Teezi

(Narrow width shown, with standard backrails)

Breezi

(Standard width shown, with a high backrail)

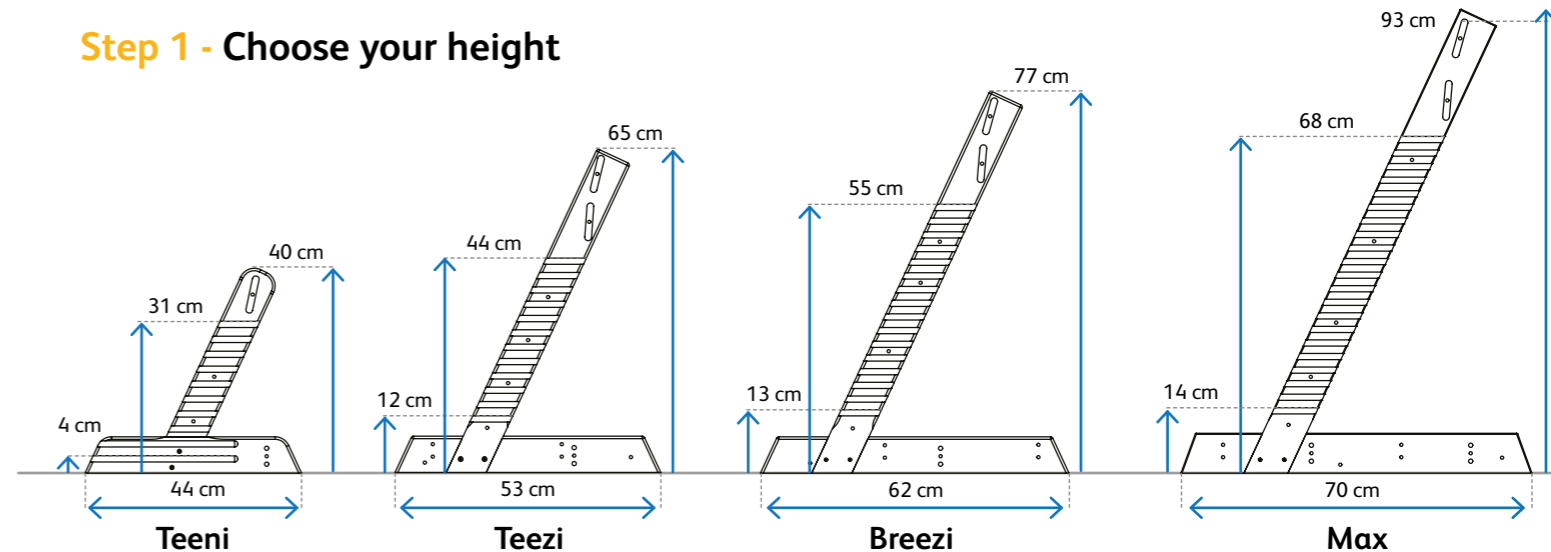
Max

(Wide width shown, with an inverted high backrail)

Building Your Breezi

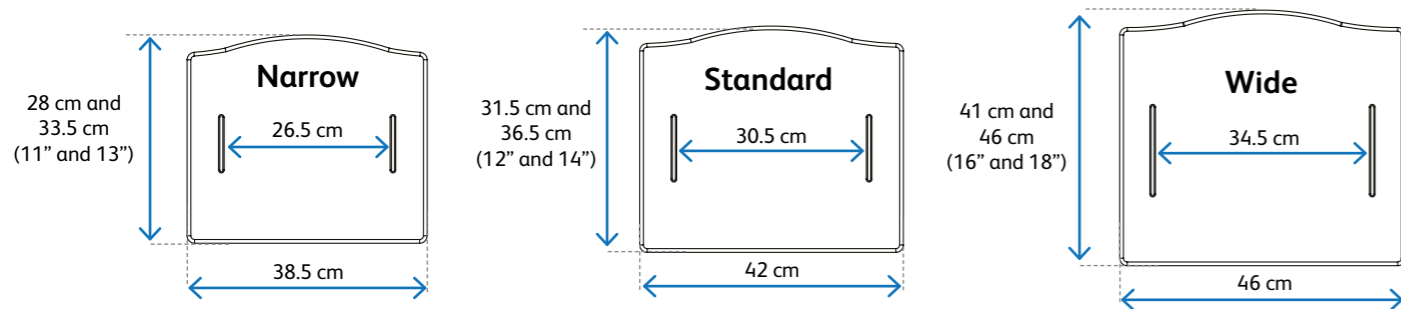
Mix & match height and width

Step 1 - Choose your height



	Teeni	Teezi	Breezi	Max
Height of chair Legs	40 cm (16")	65 cm (25.5")	77 cm (30")	93 cm (36.5")
Seat/foot plate height range from floor	Min: 4 cm (1.6") Max: 31 cm (12")	Min: 12 cm (4.7") Max: 44 cm (17")	Min: 13 cm (5.1") Max: 55 cm (21.5")	Min: 14 cm (5.5") Max: 68 cm (26.7")
Plate positioning slots in z-legs	10 slots	12 slots	16 slots	21 slots
Min weight of basic chair	6 kg	7 kg	8 kg	11 kg
Maximum user weight	65kg	65kg	75kg	85kg

Step 2 - Choose your width and depth



	Narrow	Standard	Wide
Width of chair	42 cm (16.5")	46 cm (18")	51 cm (20")
Usable seating width without any accessories in place	37 cm (14.5")	41 cm (16")	44.5 cm (17.5")
Width between pelvic positioning belt slots	26.5 cm (10.4")	30.5 cm (12")	34.5 cm (13.6")
Usable seat width with lateral thigh pads in place (min to max)	Min: 13.5 cm (5.3") Max: 26 cm (10.2")	Min: 17 cm (6.7") Max: 30 cm (11.8")	Min: 21 cm (8.3") Max: 33.5 cm (13")
Seat/foot plate depth	28 cm and 33.5 cm (11" and 13")	31.5 cm and 36.5 cm (12" and 14")	41 cm and 46 cm (16" and 18")

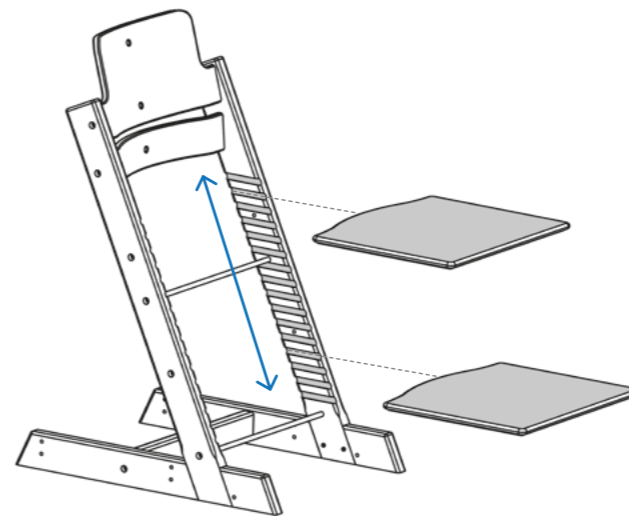
*Need a wider chair without the extra height? Did you know, you can build your own Breezi by combining any width and height together! We offer all narrow, standard, and wide chair options in any height (see page 4 for more information).

Adjust. Adapt. Grow.

On-the-go adjustments that make a difference

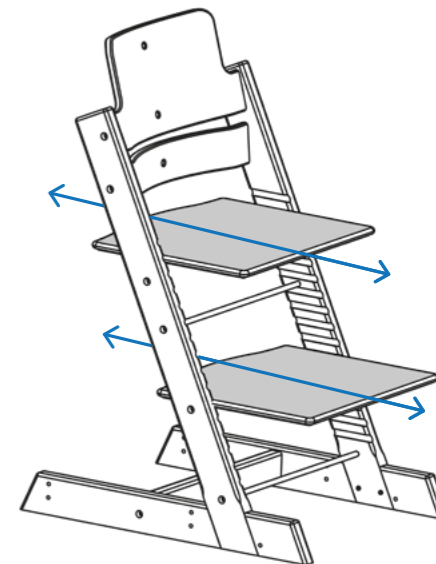
Height adjustments

As the occupant grows or table heights change, the seat plate and footplate can be easily adjusted to new heights using the slots along the chair legs, ensuring long-term support and maintaining the correct seating position.



Depth adjustments

The seat plate and footplate depth can also be easily fine-tuned as the occupant grows. Multiple seat plate depths are available (see our specification table on page 5 for details).



Choose Your Accessories

Customise your Breezi to fit your needs



- 1 Backrail Pad (standard and high)
- 2 Bodypoint Pelvic Positioning Belt
- 3 Seat Pad with Pre-Ischial Ridge Pad
- 4 Free-Standing Chest Strap
- 5 Quick Release Medial Knee Pad
- 6 Stabilising Skis

- 7 Flat Headrest for Contour Back
- 8 Contour Back with Chest Strap
- 9 Lateral Thigh Pads (short/long)
- 10 Transfer Step
- 11 Bodypoint Chest Harness (Stayflex)
- 12 Low Level Mobile Frame

- Removable Tray
- Arm Supports
- Millie Mova
- Contour Back
- Bodypoint Shoulder Harness
- Stabilising Ski (with castors)

Also available:



Our Full Range of Accessories

Enhancing every day support where it matters

Postural accessories*

- Bodypoint Pelvic Positioning Belt
- Pre-Ischial Ridge Pad
- Lateral Thigh Pad
- Contour Back
- Contour Back Chest Strap
- Free-Standing Chest Strap
- Bodypoint Anterior Positioning Harness
- High Back Pad
- Head Rest
- Head Rest for Contour Back
- Quick Release Medial Knee Pad
- Bodypoint Ankle Huggers

General accessories

- Seat Pad
- Backrail Pad
- Transfer Step
- Stabilising Skis
- Tray
- Tray Straps
- Tray Pad
- Arm Supports

Chair mobility accessories

- Low Level Mobile Frame
- Skis with Casters
- Millie Mova

*Some of our Postural accessories are used to apply localised pressures and support for occupants seeking a more secure and enclosed environment to handle their sensory needs or calm their behavioural challenges.

0117 966 6761 | info@beshealthcare.net

See more here!



Introducing the Teeni

Ideal for nursery aged youngsters from ages 1-4



Grows with the Child – with the same features as the rest of the Breezi range.

Tried and Trusted – established and proven for over 30 years.

Highly Adjustable – adapts to suit each child's needs.

Crafted in the UK – custom built for each individual.

Built to Last – designed to be sturdy and durable.

Our new Teeni can be fitted with any of the Breezi range postural accessories, and even a few limited general accessories (see page 8).

Research and Development

Improving what matters

At BES Healthcare, we're committed to making every Breezi Activity Chair as comfortable, supportive, and functional as possible.

Recent Breezi updates include:

- Increased adjustability on all Z legs for growing children
- New durable backrail material for long-term daily use with predrilled holes
- Improving designs on Lateral Thigh Pads, Trays, Contour Back and more
- New documentation (IFU and How to Fits)

And we're not stopping there. Our R&D team continues testing, prototyping, and working with families and therapists to drive new innovations.

Coming soon:

- Thoracic Lateral Pads
- Height Adjustable Arm Supports and Tray

Have ideas or feedback? We'd love to hear from you. Your input helps shape the future of the Breezi Activity Chair range.

0117 966 6761 | info@beshealthcare.net





B | E | S
HEALTHCARE

+44 (0) 117 966 6761
info@beshealthcare.net
www.beshealthcare.net

Over the past three decades, BES Healthcare has grown into a trusted name in the industry, with our heart remaining rooted in providing care in the community.

Here at BES, our compassionate team understands the unique challenges that come with providing assistive technology solutions. Through our years of knowledge and expertise, we aim to find you the right solution that makes a difference.

Get in touch for an assessment with your local assistive technology specialist today.

New Website!

